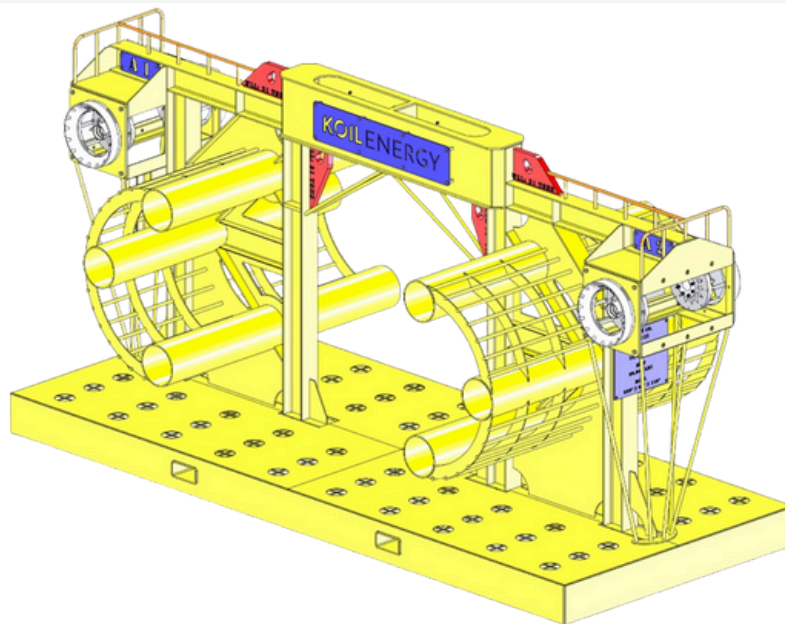


EFL Frame - Heavy Duty Electrohydraulic Deployment Frame

Standard Parameters

Approximate Tare Weight	12,500 LBS
Max Gross Weight	30,940 LBS
Payload	18,440 LBS
Minimum Bend Radius	6-3/8"
Dimensions	19'-7 7/16"L x 8'W x 9'-10 9/16"



Scope

Figure 8 Design includes:

- Allows for 1000' of 1.15" EFLs to be wrapped per side.
- Allows for 290' of 4" HFLs to be wrapped per side.
- Optional parking and intervention

Design Features

EFL Frame - Heavy Duty

- Round bars for easy securing wraps.
- Can be utilized to install HFLs and Flexible Jumpers
- End wrap protection for 50/50 load.
- Slings configurable for long term or short-term deployment.
- Fixed MQC Parking Assemblies at both ends.
- Pad Eyes Load Tested every 5 years with yearly MT NDE